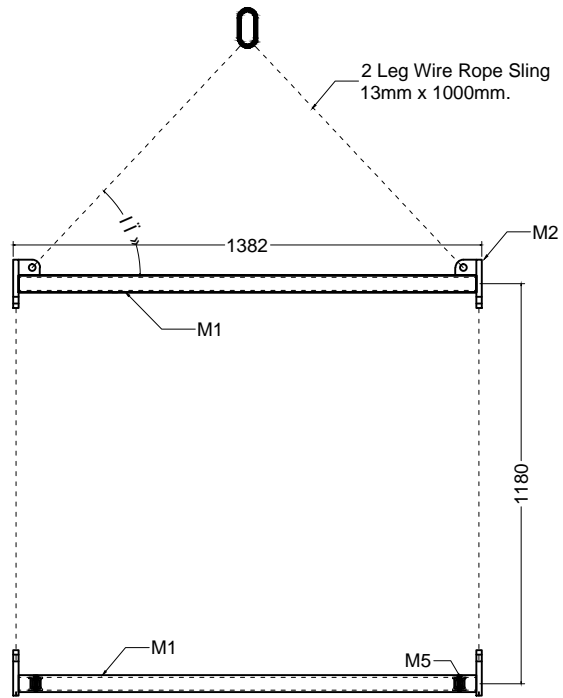
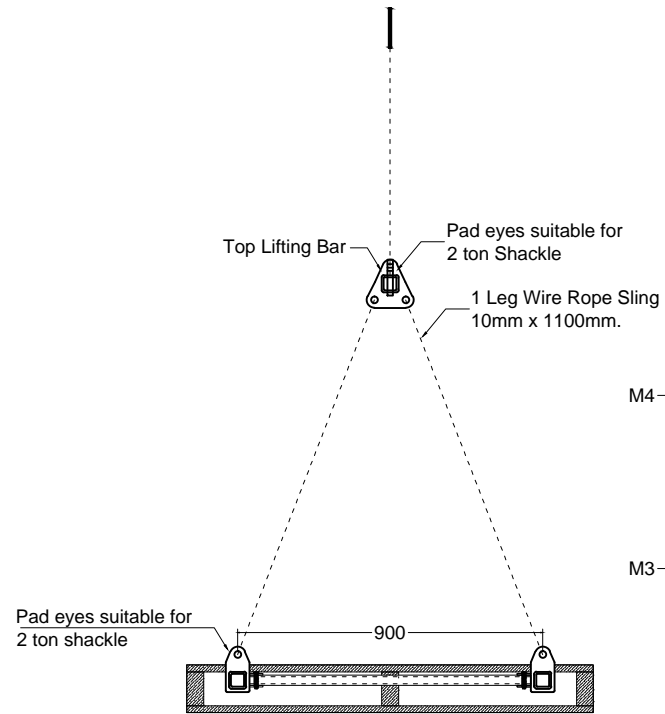


ID	MATERIAL DESCRIPTION	STEEL GRADE	REMARK
M-1	SHS 50x50x6MM	ASTM A36	LIFTING BAR
M-2	PLATE 16 MM	ASTM A36	PAD EYES
M-3	SHS 30x30x4.5MM	ASTM A36	STOPPER BAR
M-4	PLATE 5 MM	ASTM A36	HINGE ASSY
M-5	ROUND BAR 10MM	ASTM A36	PIN LOCK

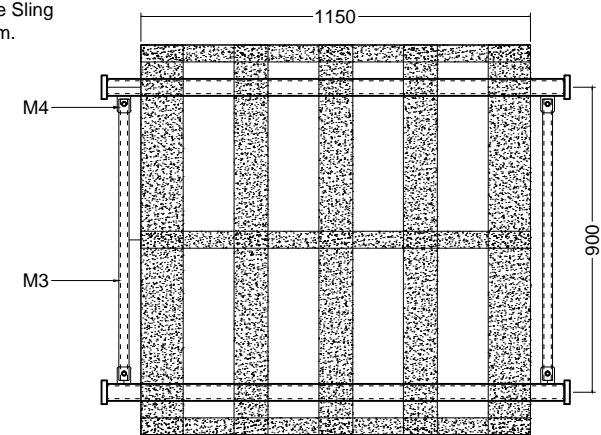
PALLET LIFTING BAR



FRONT VIEW



SIDE VIEW



TOP VIEW